

Marine Main air compressor Capacity 310 – 375 m3 / hour

Hamworthy (Hatlapa) water cooled air compressor V375 **from stock**

Capacity – 310 m3/hour - 50 Hz
Capacity – 375 m3/hour - 60 Hz

Photos
Main data

Please write – brovertek@gmail.com
Pic.: Viktor.



HamworthyKSE

Hamworthy
V-Line Water Cooled
Compressor
Electro-mechanical Model
V150, V200, V250, V375
PCH 1540

ISSUE 3 0799

HAMWORTHY KSE LIMITED
Roele's Corner, Poole, Dorset, BH17 6JT, England
Telephone: +44 (0)1202 662890
Facsimile: Spares +44 (0)1202 664444 Sales +44 (0)1202 663363 Service +44 (0)1202 662622
Offices, Associate Companies and Agents throughout the world

Table 5.2 List Of Parts – V-Line Compressors (Cont'd)

ELECTRONIC CONTROLLER MODEL		
130	Temperature sensor 0 - 100°C Final air delivery (cooler box)	1
131	Joint washer	1
132	Temperature sensor 0 - 60°C Water out (first stage cylinder)	1
133	Joint washer	1
135	Pressure transmitter (First stage air)	1
137	Pressure transmitter (Second/final stage air)	1
175	Cover/electrical sub assembly	1
176	Cover base	1
178	Set screw/bolt	4
179	Bright washer	4
182	Cover assembly	1
187	Plastic screw	4
188	Plastic washer	4
236	Joint washer	1
241	Joint washer	1
245	Set screw	4/1
246	Spring washer	4/1
248	Brass stud	1
249	Brass washer	1
250	Hex nut	1
251	Brass washer	1
252	Lockwasher	1
253	Brass washer	1
254	Nut	1
255	Nut	1
258	P clip	1
259	Screw	1
262	P clip (V200/250/375 only)	2
263	Screw (V200/250/375 only)	1



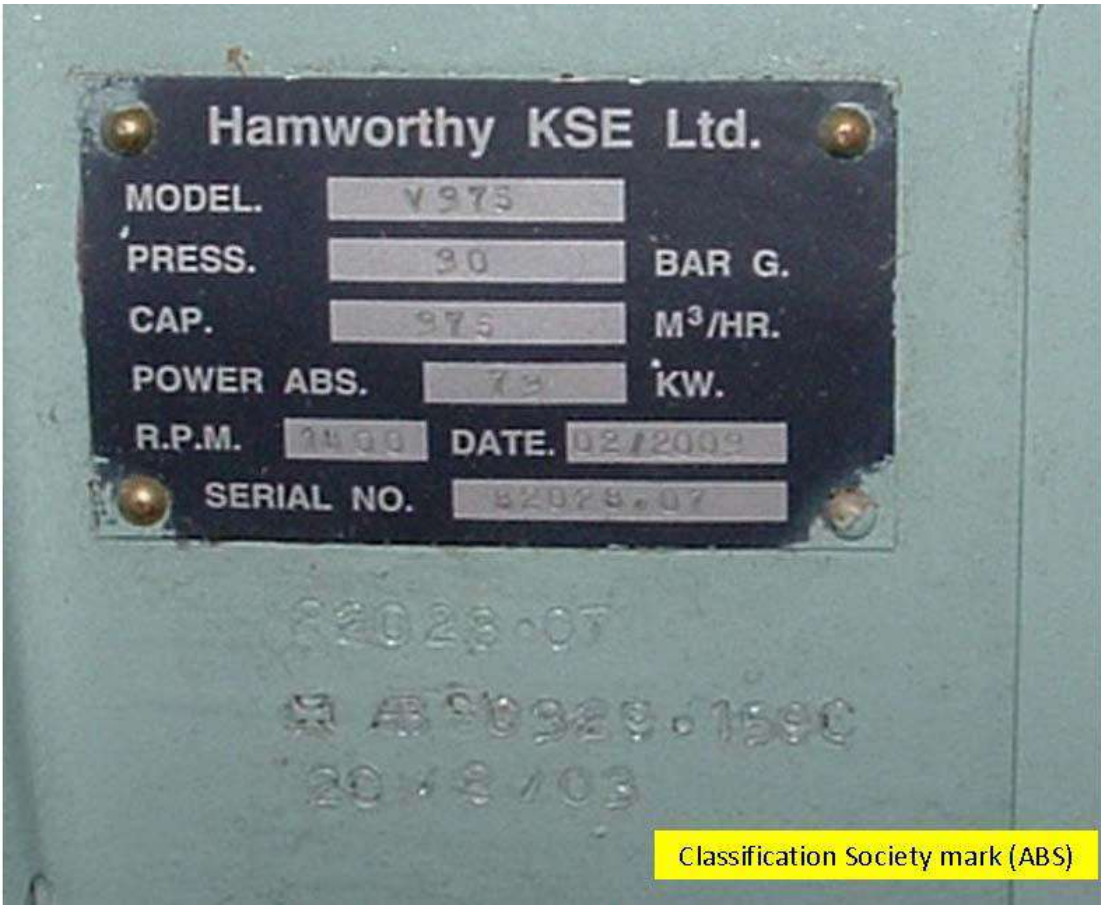
Solve starting air problem!



<http://brovertek.com>



Compressor Label

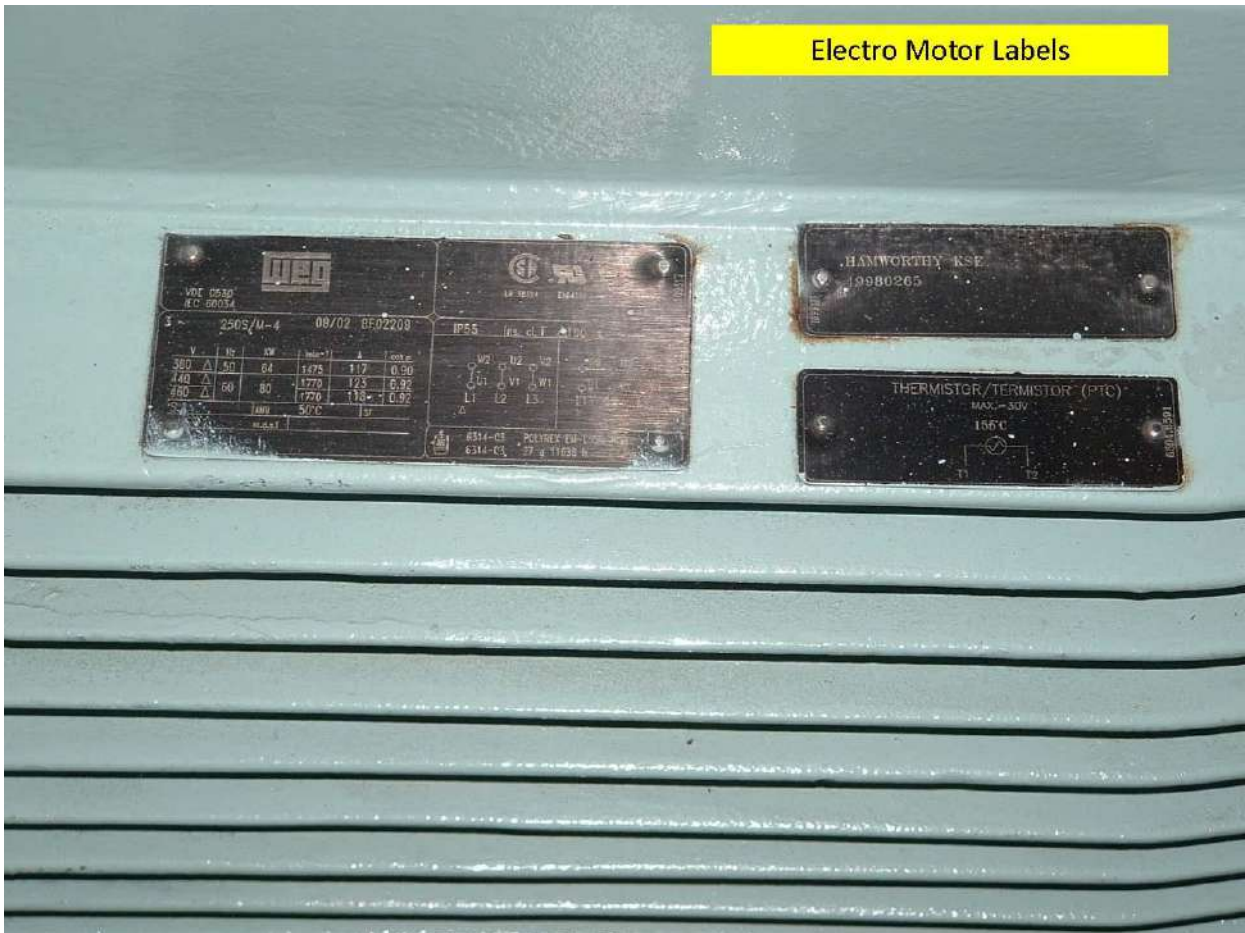


Classification Society mark (ABS)

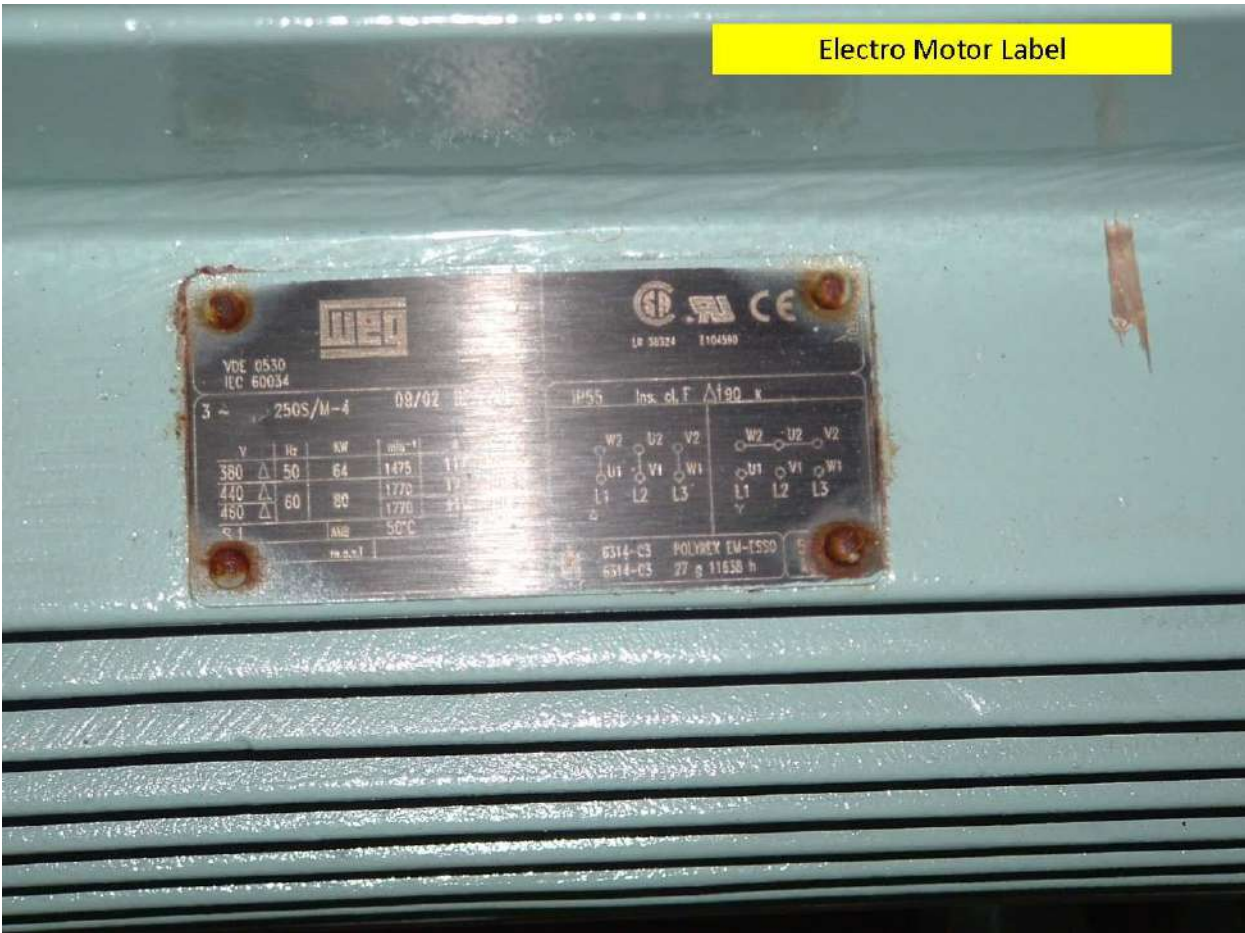
Classification Society ABS

<http://brovertek.com>

Electro Motor Labels



Electro Motor Label





Preliminary Price is \$45 000

The price is negotiable – we will be flexible.

How to install fresh water cooling?

We have experience!

Consultation is free.

Please write – brovertek@gmail.com

Attn.: Viktor.

<http://brovertek.com>



Compressor type

V105, V150, V200, V250, **V375**

Dear Sirs,
We offer brand new Hamforthy
Hatlapa)Compressor. Pls see pdf file with photos.
Classification Society is ABS.
Price - \$45,000
2 sets on stock in US
(subject unsold).
Please contact with Viktor
broverttek@gmail.com



Structural features:

Two cylinder, two stage single acting 90° V-configuration machine, with a single throw crankshaft

Valves:

State of the art concentric valves with combined suction and delivery on both stages

Water cooling:

Fresh water cooling,

~~optionally fitted with water circulation pump~~

Intercooler and aftercooler:

High efficiency built-in tubular interstage and aftercooler
Integral 1st and 2nd stage high efficiency oil and water separators

Unloader:

1st and 2nd stage solenoid drain/unloading valves

Lubrication:

Splash lubrication system (V105, V150, V375)
Force feed lubrication system (V200, V250)

Bearings:

Small end con. rod bearings: needle type both stages

Crankshaft:

taper roller bearings (V105, V150, V375)

Slide bearings (V200, V250)

Big end con. rod bearings:

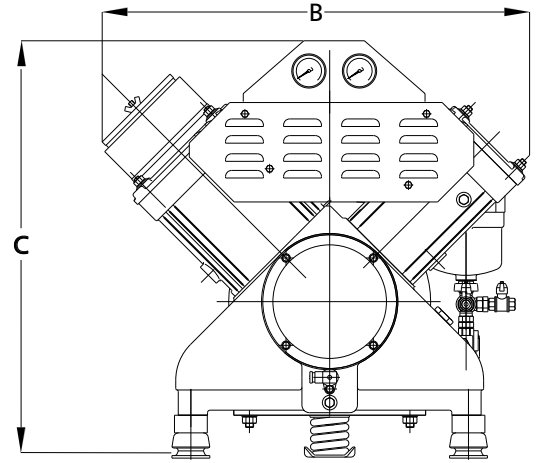
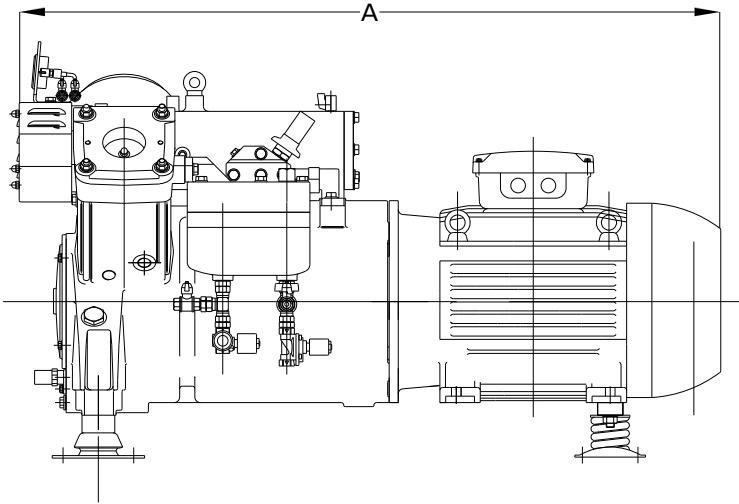
cylindrical roller bearings both stages (V105, V150, V375)

Slide bearings (V200, V250)

Compressor type

V105, V150, V200, V250, V375

HATLAPA



TYPE	Cylinders qt.	Stages qt.	Speed r.p.m.	F.A.D. m ³ /h	Power kW	Weight incl. e-motor approx. kg	Dimensions		
							A	B	C
V105	2	2	1000	55	13	620	1310	840	676
			1200	70	15.5	620	1310	840	676
			1500	85	20	620	1310	840	676
			1800	105	22	620	1310	840	676
V150	2	2	1000	80	18	650	1335	840	755
			1200	100	20	650	1335	840	755
			1500	120	27	650	1335	840	755
			1800	150	30	650	1335	840	755
V200	2	2	950	110	19.2	1100	1525	1000	860
			1150	132	23.6				
			1450	166	31				
			1750	200	38.7				
V250	2	2	950	137	25	1100	1525	1000	860
			1150	165	31				
			1450	206	41				
			1750	245	50				
V375	2	2	1000	210	38	1460	1755	1160	1054
			1200	250	49				
			1500	310	58				
			1800	375	73				

All data apply to a final pressure of 30 bar. The right for alteration of specification and data to incorporate improvements in design is reserved.

- Motor ①
- Flywheel and coupling ②
- Solenoid valve for draining ③
- Non-return valve ④
- Pressure switch ⑤
- Oil and water separator ⑥
- Flexible hoses ⑦

